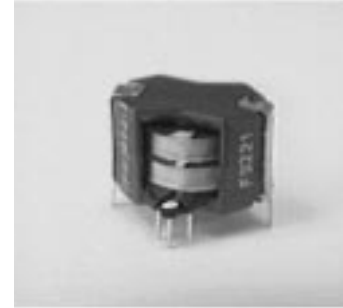


The 4 wire interface between Subscriber Terminals and the Network Termination has been standardized by CCITT recommendation I.430. It uses a passive bus which provides separate receive and transmit loops operating at 192 Kbits/s.

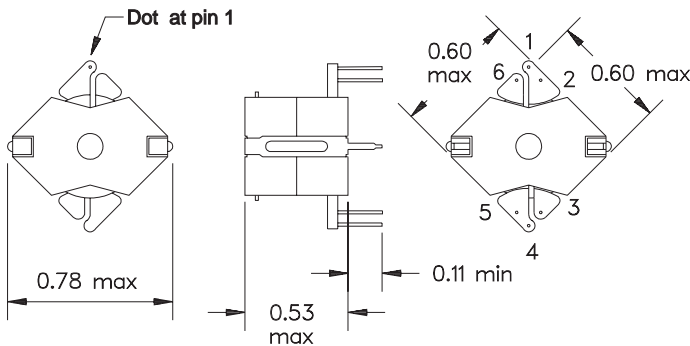
Two versions of TPW3852 have been designed and approved for use with the following devices:

<b>TEW3852</b>	Siemens	PEB2080
		PEB2081
		PEB2085
		PEB2086
<b>TPW3852-4</b>	AMD	Am79C30A
<b>TPW3852-4</b>	Mitel	MT8930A, -B, -C
		MT8931B, -C

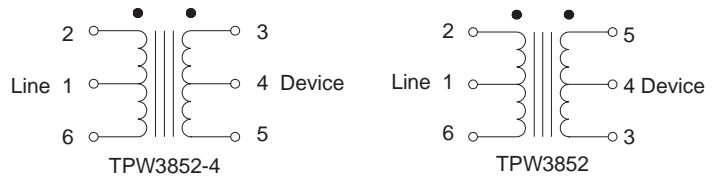
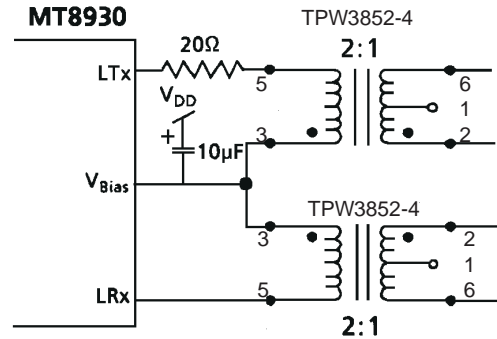
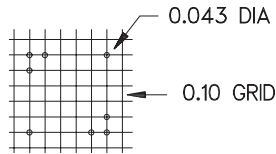
(See schematic below for correct connections.)



MECHANICAL



All dimensions are in inches



ELECTRICAL

Device

TPW3852

TPW3852-4

PEB2080  
PEB2085  
PEB2086  
Am79C30A

MT8930A, -B, -C  
MT8931B, -C

Turns ratio	(2 - 6) : (5 - 3)
Inductance	(2 - 6)
Leakage Ind.	(2 - 6)
DC Resistance	(2 - 6) (3 - 5)

1 : 2	1 : 2
> 22 mH	> 20 mH
< 12 μH	< 6.0 μH
1.0 Ω	3.2 Ω
9.0 Ω	6.3 Ω

Output Impedance  
Pulse Characteristics

Conforms to the impedance mask specified in I.430  
Conforms to the pulse mask specified in I.430

Dielectric Strength, (rms)

1500 V                      1500 V

ISSUE: G 98/04/06 3852.chp