

TLA4891 series transformers are designed to interface telecommunications equipment to a telephone line, capable of handling unbalanced DC.

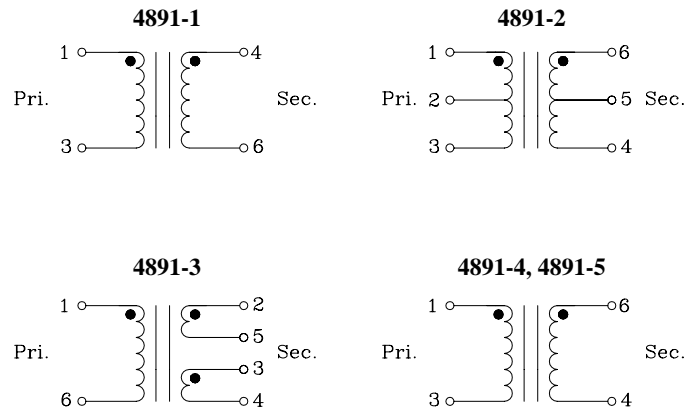
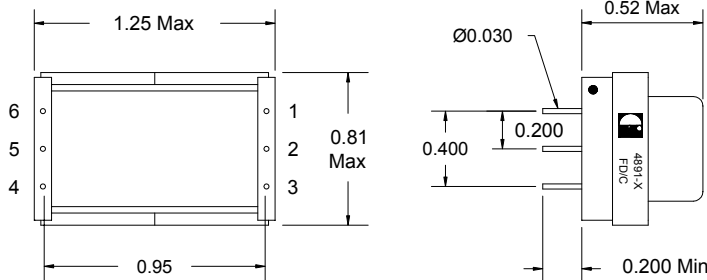
Operating temperature range for all 4891-x parts: -40°C to +85°C

**Applications:**

- Low profile.
- Up to 90 mA unbalanced line current.
- Exceeds the requirement of FCC Part 68 and CS 03.



**MECHANICAL AND SCHEMATICS** (All dimensions in inches)



NOTE: PINS 2,5 REMOVED FOR 4891-1, 4891-4 & 4891-5

UNLESS OTHERWISE SPECIFIED, ALL TOLERANCES ARE ±0.020

ELECTRICAL SPECIFICATIONS @ 25°C			4891-1	4891-2	4891-3	4891-4	4891-5
<b>Line Impedance</b>		Pri	600 Ω	600 Ω c.t.	600 Ω	600 Ω	600 Ω
		Sec	600 Ω	600 Ω c.t.	150/150 Ω	600 Ω	600 Ω
<b>Turns Ratio</b>		Pri : Sec	1:1	1:1	1:1	1:1	1:1
<b>DCR</b>	(Ω)	Pri	75	75	75	100	150
		Sec	100	100	100	120	140
<b>Insertion Loss</b>	(dB Max.)	@ 1000 Hz	1.7	1.7	1.7	3	3
<b>Frequency Response</b>	(dB Max.)	300-3500 Hz	2.5	2.5	2.5	2.5	2.5
<b>Longitudinal Balance</b>	(dB Min.)	300-3500 Hz	65	65	65	65	65
<b>Return Loss</b>	(dB Min.)	@ 1.8 kHz	14.5	14.5	14.5	14.5	14.5
<b>DC Capability</b>	(mA Max.)		90	90	90	80	80
<b>Dielectric Strength</b>	(Vrms Min.)		1500	1500	1500	2000	1500