

TEW4922 is designed and approved to be used as a receive transformer with

MITEL MT89760/-60B and MT89790/-90B devices.

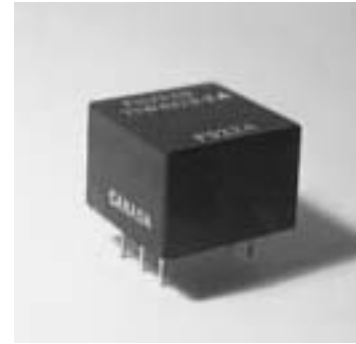
Fully encapsulated in epoxy.

Also suitable as input/output transformer for other makes of T1/CEPT interface devices.

Typical applications are:

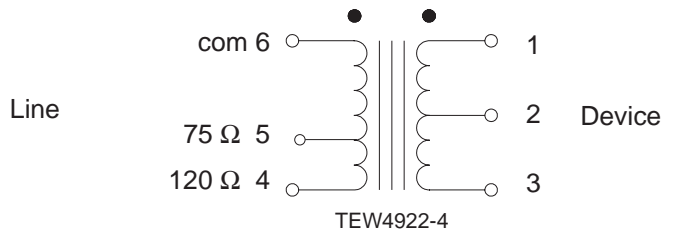
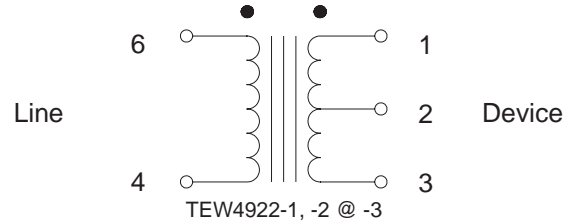
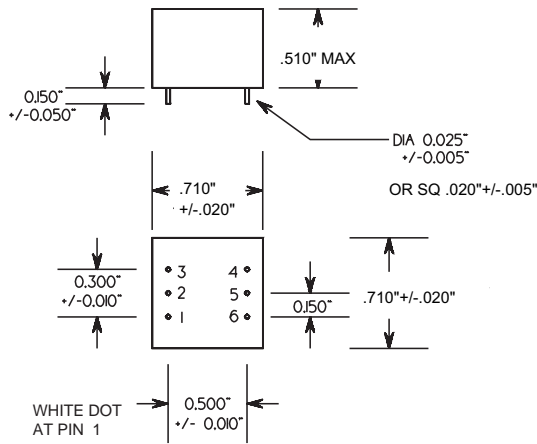
- Primary rate ISDN network nodes.
- PBX or computer to T1/CEPT Digital Trunks.
- High speed data link using T1/CEPT Digital Trunk.

Designed to meet reinforced insulation requirements to EN60950 and EN41003.



RoHS compliant parts can be ordered as 4922-1-NL, 4922-2-NL, 4922-3-NL, or 4922-4-NL.

MECHANICAL



ELECTRICAL SPECIFICATION		TEW4922-1	- 2	- 3	- 4
Devices		MT89760 MT89760B	MT89790 MT89790B	MT89790 MT89790B	MT89790 MT89790B
Application		T1	CEPT	CEPT	CEPT
Line Impedance		100 Ω	120 Ω	75 Ω	75/120 Ω
DCR	(Ohms)				
	(1 - 3)	1.55	1.55	1.11	1.1
	(6 - 4)	0.85	1.08	0.55	0.7
Turns ratio	(1 - 2) : (2 - 3) : (6 - 4)	1 : 1 : 1	1 : 1 : 1.26	1 : 1 : 1	1 : 1 : 1.26
	(1 - 2) : (2 - 3) : (6 - 5)	---	---	---	1 : 1 : 1
Inductance	(mH)				
	(6 - 4)	> 3.5	> 2.8	> 0.70	> 2.8
Longitud. Bal.		T1.408	I.431	I.431	I.431
Return Loss		T1.408	G.703	G.703 BS6328	G.703 BS6328
Dielectric Strength, Volts RMS		4000V	4000V	4000V	4000V
Temperatures, Operating					
Storage					
		0° to 50°C			
		-20° to 80°C			