

TEW4976 is designed and recommended to be used as a transmit transformer in T1 and CEPT applications with the following devices:

**CRYSTAL** CS61535A, CS61574A, CS61575 CS6158A.

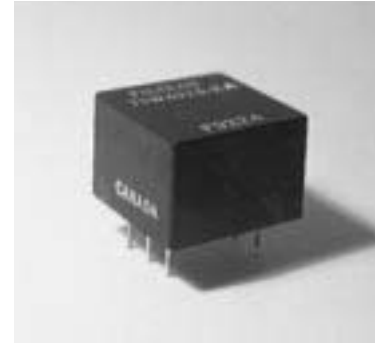
**Level One** LXT304A, LXT305A

Complies with ANSI T1.408 and CCITT I.431.

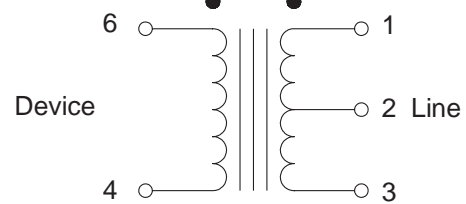
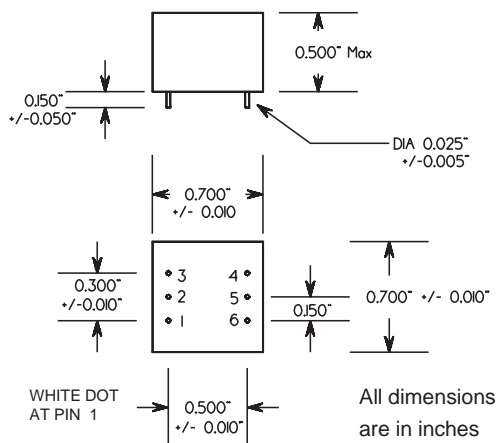
Typical applications are:

- Primary rate ISDN network nodes.
- PBX or computer to T1/CEPT Digital Trunks.
- TDM Multiplexers.

Designed to meet reinforced insulation to EN60950 & EN41003



MECHANICAL



ELECTRICAL SPECIFICATIONS

TEW4976 - 1

- 2

- 3

- 4

Line Impedance	(1 - 3) (1 - 2)	100 Ω	75 Ω	120 Ω	120 Ω 75 Ω
Turns ratio	(6 - 4) : (1 - 3) (6 - 4) : (1 - 2)	1 : 1.16 c.t	1 : 1 c.t	1 : 1.26 c.t	1 : 1.26 1:1
Inductance (mH)	(1 - 3)	> 1.5	> 1.2	> 1.8	>1.8
Pulse Mask		T1	CEPT	CEPT	CEPT
Longitud. Bal. (dB)	50 - 1.544 KHz	> 40	> 40	> 40	> 40
Dielectric Strength (Vrms)		4000	4000	4000	4000

2007/02/07