

TEW4977 & -1 are designed and approved to be used as an Input transformer with the following devices.

- Crystal CS61534, 61535, 61574, 6158, 61535A, 61574A, 61575, 6158A.
- Level One LXT 300, 301, 305, 304A,305A

Also as an Output transformer for:

- Crystal CS61534, 61535, 61574 & 6158.
- Level One LXT 300, 301, 305

TEW4977-2 is designed to be used as an Output transformer, and **TEW4977-3** as an Input trf. for:

Brooktree BT8069B device

Fully encapsulated in epoxy.

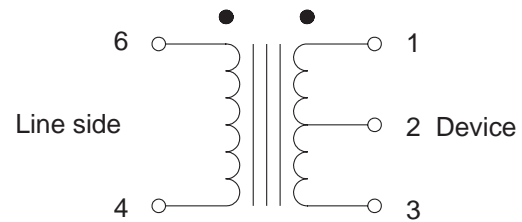
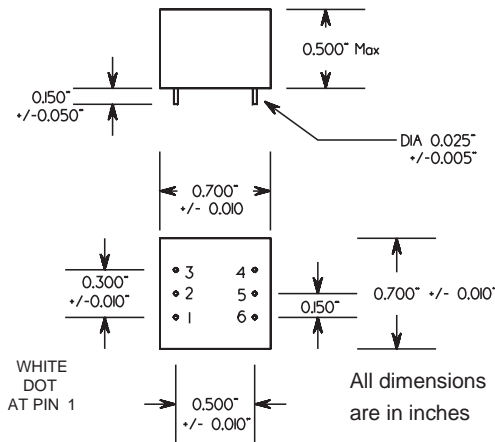
Typical applications are:

- Primary rate ISDN network nodes.
- PBX or computer to T1/CEPT Digital trunks.
- High speed data link using T1/CEPT Digital trunk.
- TDM Multiplexers.



Designed to meet reinforced insulation to EN60950 & EN41003

MECHANICAL



ELECTRICAL SPECIFICATION		TEW4977	-1	-2	-3	-4	
Line Impedance	(Ohms)	75, 100 & 120	75	75, 100 & 120	75, 100 & 120	75 & 120	
DCR	(Ohms)	(1 - 3)	1.15 nom.	1.6	0.7 nom	0.7 nom	1.2 nom
		(6 - 4)	0.60 nom.	0.8	1.2 nom	0.7 nom	0.7 nom
Turns ratio		(6 - 4) : (1 - 3)	1 : 2 c.t.	1 : 2 c.t.	2 : 1 c.t.	1 : 1	1 : 2
		(6 : 4) : (1 - 2)	—	—	—	—	1 : 1.58
Inductance	(mH)	(6 - 4)	> 1.2	> 0.8	> 4.8	> 1.2	> 1.2
Longitud. Bal.			T1.408	I.431	T1.408	T1.408	I.431
			I.431	I.431	I.431	I.431	
Return Loss			T1.40	G.703	n/a	G.703	G.703
			G.703	BS6328			
Dielectric Strength	(Vrms)		4000	4000	4000	4000	

2007/02/07